

Paasche®

TGX – Airbrush Double Action - Internal Mix Siphon Feed

INSTRUCTIONS AND PARTS LIST TGX-4/21/2023



INTRODUCTION:

Paasche® model TGX features hand crafted construction using quality materials. The body is machined brass, polished and chrome plated. Needles are stainless steel & the needle packing is PTFE. Preferred by professional and hobbyist alike.

Introduction:

The Paasche® Vision Airbrush offers the ultimate in control and detail. It comes installed with Paasche's smallest .2mm head which is paired with a hand polished hardened stainless steel needle. In addition we have added the atomization control Valve which gives finger tip control of you atomizing air. The newly designed sloped trigger improves comfort and grip.

TGX Specifications:

Dual Action - Gravity Feed • Internal Mix - Cutaway handle w/ pre-set needle stop - PTFE packing

Spray Head Options:

- .2mm head (T-227-0) For jobs requiring extremely fine detail. Very thin paint.
- .25mm head (T-227-1) Great for jobs requiring fine detail. Thin Paints
- .38mm head (T-227-2) Installed on airbrush. Good for most spraying
- .66mm head (T-227-3) Great for spraying metallics or thicker paints
- .66mm Fan Aircap (TAF-3) Will give a 2-1/2 - 3 inch fan pattern. Use with size 3 tip & needle
- 1.0mm head (T-227-4) Great for spraying larger metallics, thick paints or high volume

*The larger size 4 head may require a larger compressor. Some 1/5 HP model may not deliver enough volume to maintain pressures over 20 PSI.

Working Pressures:

- Operating pressures 15-55 PSI; Maximum pressure 75 PSI. Fan aircap needs 20 PSI or more.
- 20-30 PSI is best for detail spraying w/ properly thinned paint
- Use the higher pressures for thicker material where fine detail is not critical or thin the paint to allow lower pressures.

Equipment Setup:

The Airbrush is held in the same manner as a pen, with the index finger comfortably over the finger button.

1. Attach air hose to air supply and to airbrush. If using a regulator set pressure between 20-55 PSI.

Airbrush Operation:

1. Press down on Finger Button to release air and pull back on button to control quantity of color.
2. To spray a fine line without heavy ends, start moving the airbrush without release of color. Then start the color at the beginning of line and stop the color at the end, but continue the motion of the airbrush after the color has stopped.
3. Practice this movement until you can spray a fine line or a broad pattern without heavy build up at the beginning or end of your strokes.
4. Speed of movement controls density of color and fading effects at beginning and end of strokes.
5. For detail, hold the airbrush very close to the surface, push down for air and pull back very slowly on the Finger Button to release a small amount of paint.
6. For background work and broad effects, hold the airbrush away from the work surface and pull back on Finger Button to release required amount of color.
7. For stippling use the atomization control screw to reduce your atomizing air so the paint is not fully atomized. From there adjust paint thickness and air pressure to achieve desired spray pattern.

Personal Settings:

Spring Housing- #TAL-17 used to increase/decrease spring tension for the trigger pull back. Thread into the shell until the trigger stroke feels comfortable. Threading in until it stops can cause the trigger to jam.

REMOVING / REPLACING THE NEEDLE AND HANDLE :

1. Unscrew the handle and loosen the Locknut #TAL-19 by turning counterclockwise. Depress the Trigger #TGX-106 and hold in down position while removing or inserting the needle. This assures the needle moves freely through the trigger. Gently remove the needle, rotating if necessary.
2. Inspect the condition of the needle. If it is bent or misshapen in any way, replace it with a new needle. A bent needle can damage or split the Tip- #TT causing bubbles or a rough spray pattern.
3. Hold trigger in down position, insert the new needle into the Rocker Assembly #TAL-18. Gently push needle through, rotating if necessary, push gently forward until the needle stops in the front of the tip.
4. Release trigger and tighten locknut by turning clockwise.

REPLACING THE FINGER LEVER ASSEMBLY :

If the Trigger #TGX-106 is removed, it is easiest to replace before the Rocker Assembly #TAL-18 is inserted.

1. Hold trigger so the round side of the stem is to the front and flat side to the back of the airbrush
2. Insert trigger straight down through the opening in the top of the airbrush shell
4. You want the bottom of the trigger to cover the round ball on top of the exposed plunger. Once the connection is made you should have spring action when pushing down on the trigger. Proceed to replace Rocker Assembly #TAL-18 and balance of parts as above. When the needle is inserted it will prevent the removal of the trigger.

REPLACING THE TIP:

1. Remove handle, loosen Locknut- #TAL-19 and withdraw needle about one inch (1”).
2. Un-screw the Aircap- #TA and remove. The Tip- #TT can now be unscrewed with Wrench- #TAL-28.
3. Place a new tip into position and tighten with wrench. The tip must be wrench tight. Finally push the needle forward until it is seated fully forward into tip.

ADJUSTING WORN PACKING WASHER:

1. If Packing Assembly- #TAL-8 becomes worn or loose it must be tightened or replaced.
2. Tighten packing nut with small screwdriver. To reach packing all internal parts must be removed.
3. Replace needle and make sure packing nut is not too tight. A slight resistance to movement is needed when needle is passed through.
4. Completely re-assemble guts of airbrush.

CLEANING THE AIRBRUSH:

1. Spray airbrush cleaner through airbrush until no more color is spraying out the of airbrush.
2. Remove needle and wipe clean then replace.
3. If paint has dried remove the tip and aircap for soaking or soak just the front of the airbrush in cleaner.
4. Any paint cleaner recommended by your paint manufacturer is ok. Keep trigger area dry if soaking.

TROUBLESHOOTING:

Bubbling in cup:

1. Tip- #TT needs to be tightened further
2. Aircap- #TA needs to be tightened

Skipping or Spitting:

1. Paint too thick -reduce with thinner
2. Tip not seated -tighten Tip- #TT with wrench
3. Tip split or damaged needle -replace tip or needle
4. Needle or tip dirty -clean and replace
5. Air pressure is low -increase pressure or thin paint further (need 20 or more PSI to spray most paints)
6. Check to make sure atomization control is not closed to far

Airbrush Not Spraying:

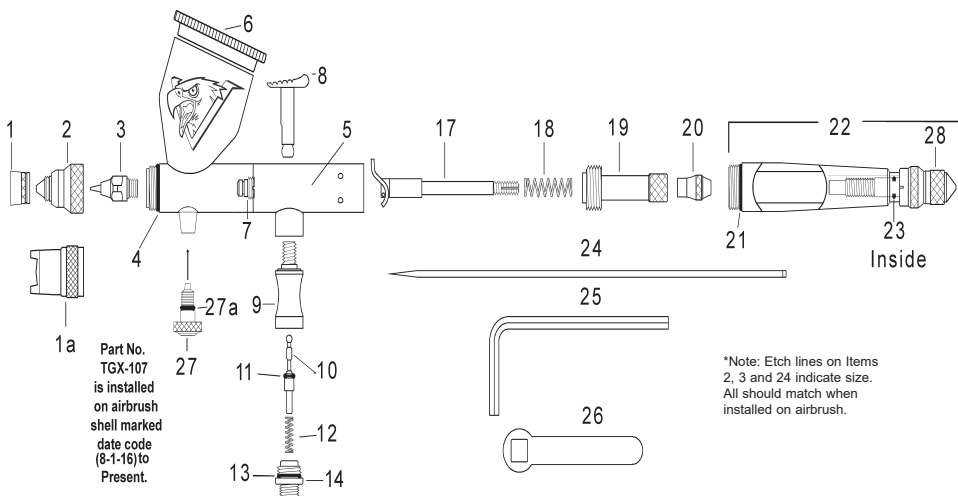
1. Clogged tip- #TT -remove tip and clean
2. Needle not moving -tighten needle locknut
3. Low air pressure -increase pressure (need 20 or more PSI to spray most paint)
4. Check to make sure atomization control is not closed to fa

Sprays double line or heavy to one side:

1. Split Tip- #TT or bent Needle- #TN - replace
2. Dirty tip or needle - remove and clean

Jammed trigger or poor trigger motion:

1. Adjust Spring Housing- #TAL-17 - screw or unscrew the spring housing to lessen or increase tension on trigger motion
2. Paint leaking to trigger area - remove guts of airbrush and slightly tighten packing or replace if needed
3. Lubricate needle & trigger - apply Paasche Airbrush Lube (AL-2) to needle shaft and trigger slot area



Part No.
TGX-107
is installed
on airbrush
shell marked
date code
(8-1-16) to
Present.

*Note: Etch lines on Items
2, 3 and 24 indicate size.
All should match when
installed on airbrush.

NO.	PART	DESCRIPTION
1.	XI-41	Cap
1a.	TAF-3	Fan Aircap for .66mm head
2.	TA-1	.2 & .25 Aircap
3.	TT-0	.2mm Tip
4.	MIL-12	"O" Ring for TGX-30 Shell
5.	TGX-30	Shell Assembly
6.	TGX-104	Cup Cover
7.	TAL-8	Packing Assembly PTFE
8.	TGX-106	Trigger
9.	TAL-14	Valve Casing (Not Black Chrome)
10.	TAL-36	Air Valve Plunger (Includes O-ring)
11.	A-53	O-ring (Pack of 6) O-rings)
12.	A-22	Spring
13.	TAL-22	O-Ring (Pack of 6) O-rings)
14.	TAL-15	Valve Adapter (Includes O-ring)
17.	TAL-18	Rocker Assembly
18.	MIL-11	Needle Spring
19.	TAL-17	Spring Housing
20.	TAL-19	Needle Lock Nut
21.	MIL-12	"O" Ring for Handle
22.	TGX-105	Handle & Needle Stop
23.	3A-4	"O" ring
24.	TN-0	.2mm Needle
25.	TAL-35	Allen Wrench
26.	TAL-28	Wrench
27.	TGX-102	Air Valve Stem (Date on shell 7/31/16)
27a	3A-5	O-ring (Pack of 6) TGX-102(Old)
27.	TGX-107	Air Valve Stem (Date on shell 8/1/16)
27a	3A-4	O-ring (Pack of 6) TGX-107(Current)
28.	TAL-33	Needle Stop

Optional Parts:

Head components:

TAF-3	Fan Aircap for .66mm Head (use with TT-3 & TN-3)
TT-1, 2, 3 or 4	Tip (.25, .38, .66 or 1mm)
TN-1, 2, 3 or 4	Needle (.25, .38, .66 or 1mm)
TA-1, 2, 3 or 4	Aircap (.25, .38 .66 or 1mm)

Complete Head

T-227-1	Size 1 Head (.25mm)
T-227-2	Size 2 Head (.38mm)
T-227-3	Size 3 Head (.66mm)
T-227-4	Size 4 Head (1mm)

Parts:

TAL-34	Handle with Needle Stop
--------	-------------------------

Airhoses with couplings

A-1/8-size	Braided Airhose (6', 8', 10', 15', 20', 25' & 50')
HPB-1/8-10	10' Black Plastic Airhose

WARNING: Spray materials may be harmful if inhaled or allowed to come into contact with the skin or eyes. Consult the product label and material safety data sheet supplied for the spray material. Follow all safety precautions. **CAUTION:** Well Ventilated Area Required to remove fumes, dust or overspray. **Maximum Air Pressure 75 P.S.I.**

Accessories:



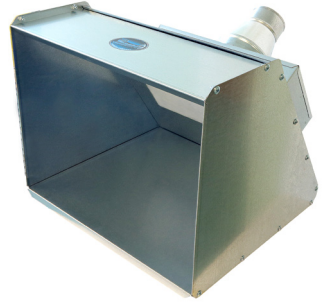
R-75
Regulator &
Moisture Trap



A-194
Airbrush Hanger



AC-7
Airbrush cleaning
brushes



HSSB-22-16
Hobby or artist airbrush spray booth



MT
Moisture Trap



A-191
Quick disconnect



AL-2
Airbrush Lube



D3000R
Airbrush compressor with tank