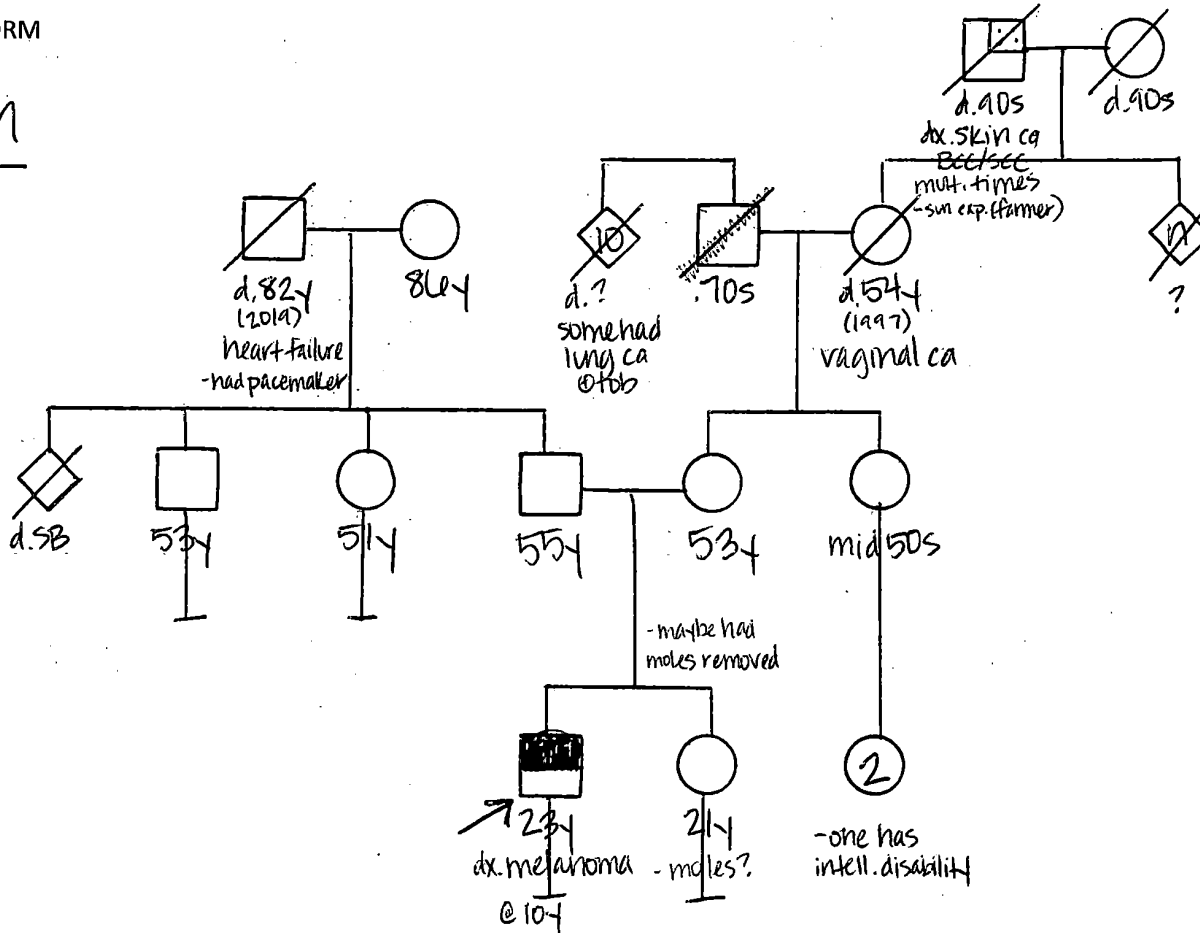


Patient Name Bodin, Jeffrey  
 DOB: 05/22/97 MRN: 1002548110  
 DOV: 06/29/20 Taken by: Alix D'Angelo

PEDIGREE FORM

French

German/Italian





Family History Checklist

- |   |  |
|---|--|
| <input checked="" type="checkbox"/> Birth defects → cousin  | <input checked="" type="checkbox"/> Cancer             |
| <input checked="" type="checkbox"/> Intellectual disability | <input checked="" type="checkbox"/> Autism/psychiatric |
| <input checked="" type="checkbox"/> Sudden/early death      | <input checked="" type="checkbox"/> SIDS               |
| <input checked="" type="checkbox"/> 3+ miscarriages         | <input checked="" type="checkbox"/> Consanguinity      |

Personal History

- no nevi removed/biopsied since 10yo
- still followed by MB Anderson studt

Legend

-  = melanoma
-  = other skin cancer